

Premier 360 QD

Digital Ceiling Mount Quad Detector



See the complete picture

The Premier 360 QD from Texecom features an omni-directional quad element pyro for true 360° pickup. Advanced digital design ensures maximum false alarm immunity in all environmental conditions, yet still maintains optimum catch performance. With an exceptional specification, the Premier 360 QD is clearly the only choice for all round protection.

Outstanding Features:

- 3.6m maximum mounting height
- 9.3m maximum diameter coverage pattern
- Selectable Pulse Count
- Sealed Optics
- Digital Microprocessor Technology
- Omni-directional Quad Element Pyro For True 360° Coverage

For further information contact sales: 01706 220460

Texecom

Omni-directional Quad Pyro

Featuring a true omni-directional quad element pyro, the Premier 360 QD provides exceptional catch performance for any direction of intruder movement. Other ceiling mount detectors normally use a standard dual element pyro. These are only suitable for use in wall mounted PIRs where most of the movement will be across the face of the detector. When dual element pyros are used in ceiling mount detectors, catch performance can decrease because sensitivity is extremely directional dependent.

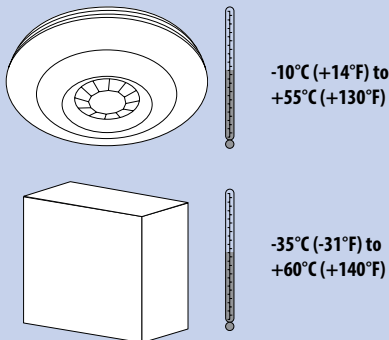
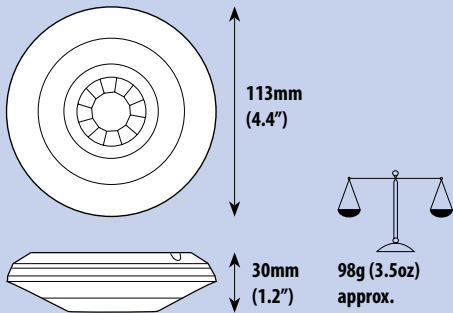
Digital Signal Processing

Neural based environment learning provides the Premier 360 QD with real intelligence and enables it to continually monitor the installation. The signal processing adjusts automatically to ensure optimum catch performance yet still maintains maximum false alarm immunity.

Digital Temperature Compensation

The digital temperature compensation technique employed within the Premier 360 QD ensures that the Fuzzy Logic signature algorithms most suited to that particular environment are employed. If the environment changes then so do the signal processing algorithms. This technique, unique to Texecom, ensures superb performance even in the hottest of climates.

Physical Specifications



Premier 360 QD



Functions

- Detection Range 9.3/30 (m/ft)
- Selectable Pulse Count
- Sealed Optics
- Digital Microprocessor Technology
- Omni-directional Quad Element Pyro For True 360° Coverage

Standards

Detector Standard:	EN 50131-2-2 Grade 2 Class II
System Standard:	PD 6662/BS EN 50131-1 Grade 2 system, Environmental Class II

European Standards

CE Directive: 2004/108/EC (CE directive): Hereby, Texecom Ltd declares that this device is in compliance with the essential requirements and other relevant provisions of Directive 2004/108/EC.

R&TTE Directive: 1999/5/EC (R&TTE Directive): Hereby, Texecom Ltd declares that this device is in compliance with the essential requirements and other relevant provisions of Directive 1999/5/EC.

Texecom products are protected by UK and International patents, trademarks and registered design rights. Premier is a trademark of Texecom Ltd.

© 2014 Texecom Limited. LIT-0215 Discover more at www.texecom.com



Certificate Number: FM 35285

